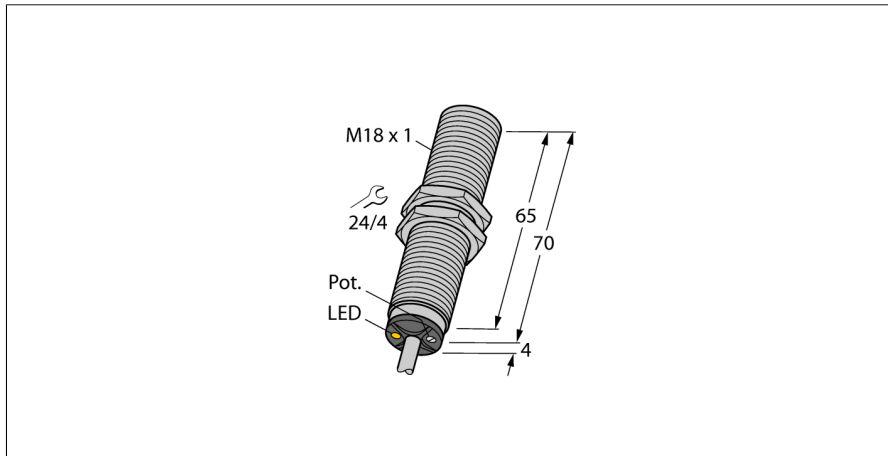
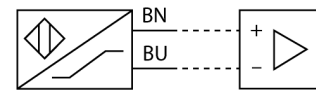


**Capacitive sensor
with changed NAMUR characteristic
BC5-M18-Y0X/S918**



- M18 × 1 threaded barrel
- Chrome-plated brass
- Fine adjustment via potentiometer
- Housing is not earthed
- DC 2-wire, nom. 8.2 VDC
- Output acc. to DIN EN 60947-5-6 (NAMUR)
- Cable connection

Wiring Diagram



Functional principle

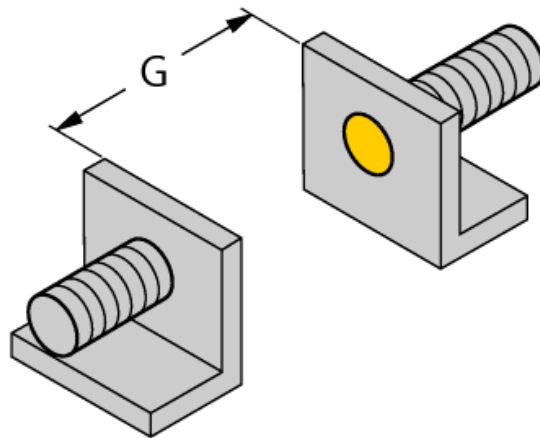
Capacitive proximity switches are designed for non-contact and wear-free detection of electrically conductive as well as non-conductive metal objects.

| | |
|---|---|
| Type designation | BC5-M18-Y0X/S918 |
| Ident-No. | 2006030 |
| Rated switching distance (flush) | 5 mm |
| Rated switching distance (non-flush) | 5 mm |
| Secured operating distance | ≤ (0.72 × S _n) mm |
| Hysteresis | 1...20 % |
| Temperature drift | type 20 % |
| Repeat accuracy | ≤ 2 % of full scale |
| Ambient temperature | -25...+70 °C |
| Voltage | Nom. 8.2 VDC |
| Current consumption non-actuated | ≤ 1.2 mA |
| Actuated current consumption | ≥ 2.1 mA |
| Switching frequency | 0.1 kHz |
| Output function | 2-wire, NAMUR |
| Design | Threaded barrel, M18 × 1 |
| Dimensions | 74 mm |
| Housing material | Metal, CuZn, Chrome-plated |
| Active area material | Plastic, PBT-GF30-V0, yellow |
| Admissible pressure on front cap | ≤ 4 bar |
| Max. tightening torque housing nut | 25 Nm |
| Electrical connection | Cable |
| Vibration resistance | 55 Hz (1 mm) |
| Shock resistance | 30 g (11 ms) |
| Protection class | IP67 |
| MTTF | 448 years acc. to SN 29500 (Ed. 99) 40 °C |
| Packaging unit | 1 |
| Switching state | LED, Yellow |

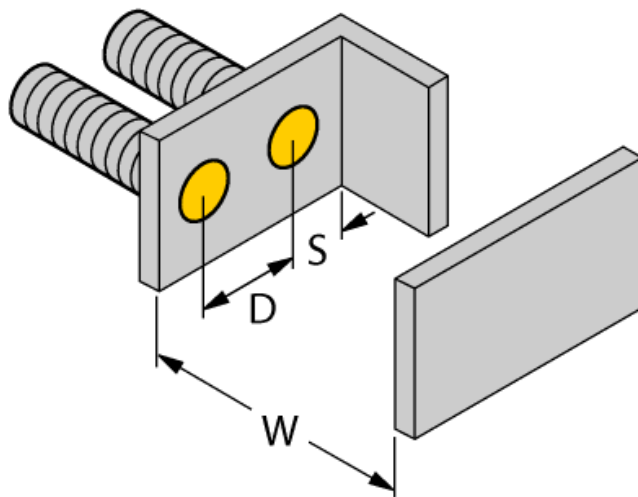
**Capacitive sensor
with changed NAMUR characteristic
BC5-M18-Y0X/S918**

| Mounting instructions/Description | minimum distances |
|-----------------------------------|-------------------|
| Distance D | 36 mm |
| Distance W | 15 mm |
| Distance S | 27 mm |
| Distance G | 30 mm |

| | |
|------------------------|---------|
| Diameter active area B | Ø 18 mm |
|------------------------|---------|



The given minimum distances have been checked against the standard switching distance. Should the sensitivity of the sensors be changed via potentiometer, the data sheet specifications no longer apply.



**Capacitive sensor
with changed NAMUR characteristic
BC5-M18-Y0X/S918**

Accessories

| Type code | Ident-No. | Description | |
|------------------------------|-----------|--|--|
| BS-18 | 69471 | Mounting bracket for threaded barrel devices; material: PA66-GF | |
| BSN 18 | 69472 | Fixing clamp; material: PA66-GF | |
| BST-18B | 6947214 | Fixing clamp for threaded barrel devices, with dead-stop; material: PA6 | |
| MAP-M18 | 6950012 | Mounting adapter; material: Polypropylene; sensor replacement with filled container possible (adapter remains in container during sensor replacement) | |
| IMX12-DI01-2S-2T-0/ 24VDC | 7580020 | Isolating switching amplifier, 2-channel; SIL2 acc. to IEC 61508; Ex-proof version; 2 transistor outputs; input Namur signal; ON/OFF switchable monitoring of wire-break and short-circuit; toggle between NO/NC mode; signal doubling; removable screw terminals; 12.5 mm wide; 24 VDC power supply | |